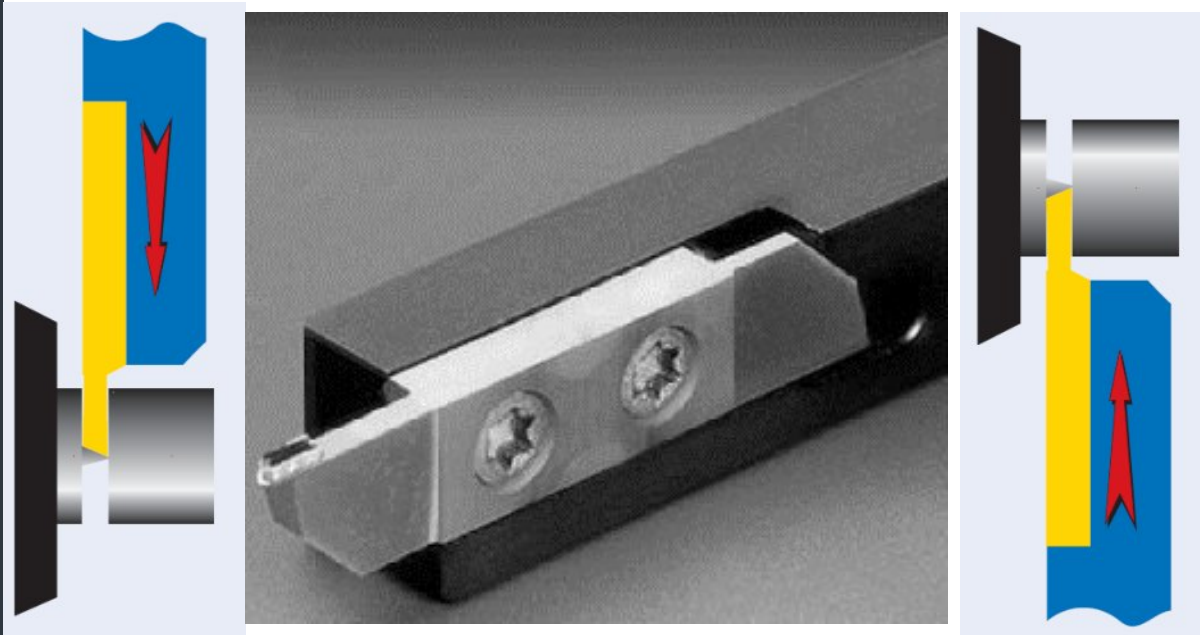


INSERT SYSTEM FOR SLIP RING TOOLS



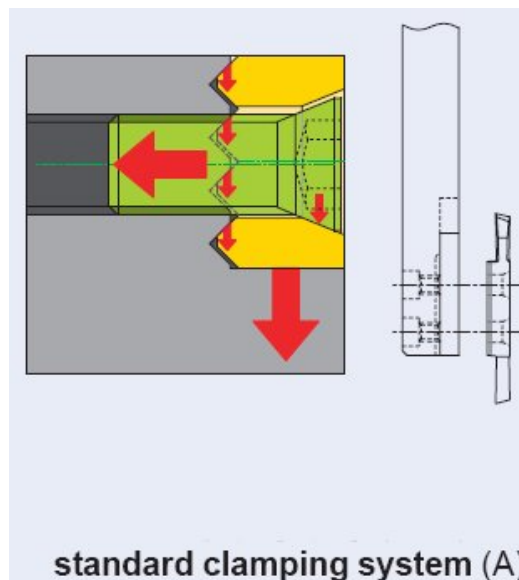
Based on insert and tool holders from a leading Swiss manufacturer APLLITEC-TOOLS

Utilising their “TOP-Line” range of inserts and tool holders ensures greater rigidity and tool registration

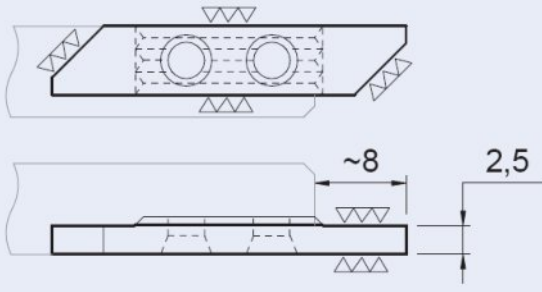
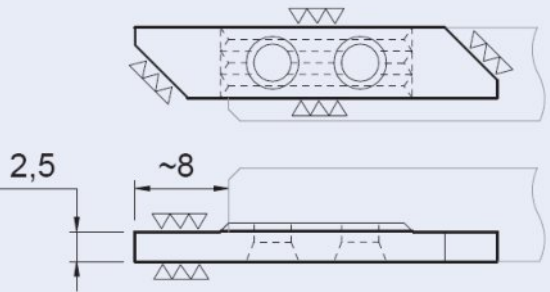
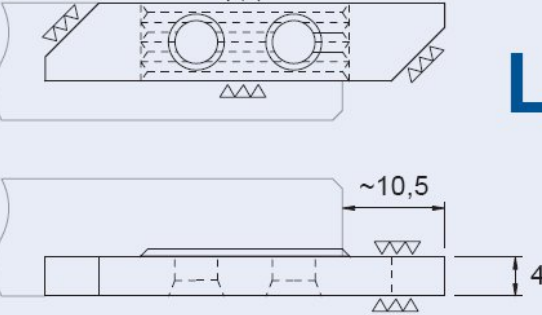
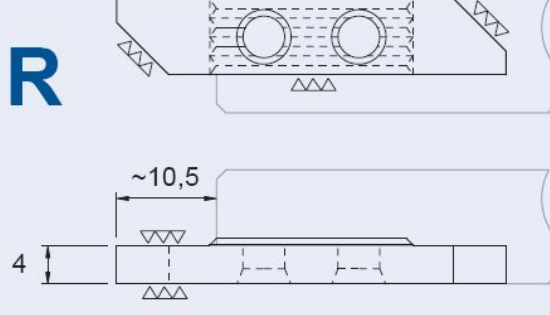
We can apply our diamond technology to either left or right hand inserts.

Using single crystal diamond Natural, Synthetic, CVD.

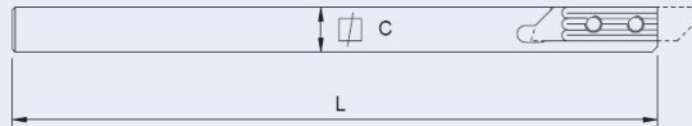
For more details and information about the inserts and toolholders scan the code to reach the Apllitec web site.



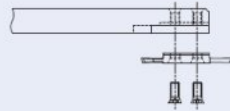
Standard Inserts

	<p>Insert Left hand Type 731-E</p>
<p>Insert Right Hand Type 741-E</p>	
 <p>L</p>	<p>Insert Left Hand Type 751-E</p>
<p>Insert Right Hand Type 761-E</p>	 <p>R</p>

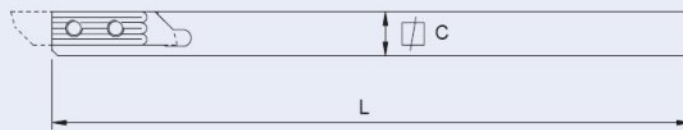
TOOL HOLDERS For 731 and 741 Inserts



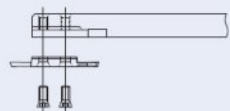
standard clamping system (A)



C	L	Art. N°
7 x 7	115	730-7 *
8 x 8	115	730-8
10 x 10	115	730-10
10 x 10	50	730-10-50
12 x 12	130	730-12
12 x 12	90	730-12-90
13 x 13	130	730-13
16 x 16	130	730-16
16 x 16	75	730-16-75
20 x 20	120	730-20

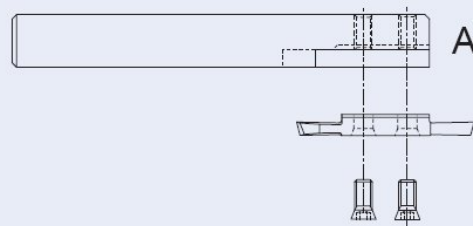
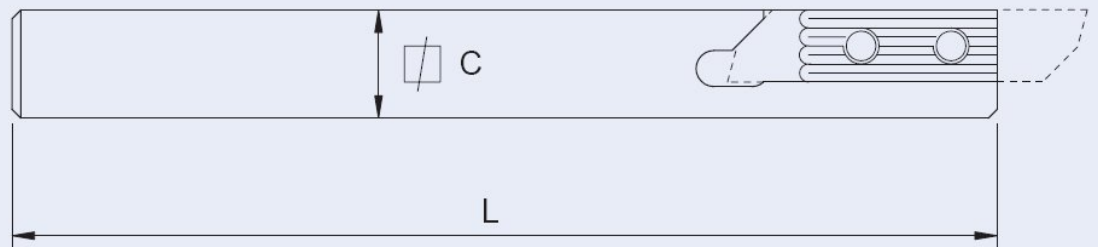


standard clamping system (A)

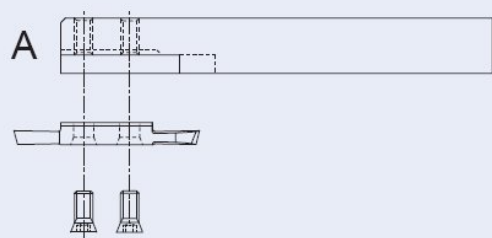
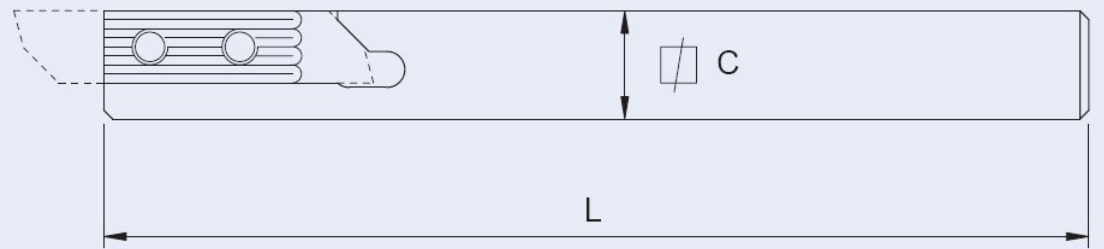


C	L	Art. N°
8 x 8	115	740-8
10 x 10	115	740-10
10 x 10	50	740-10-50
12 x 12	130	740-12
12 x 12	90	740-12-90
13 x 13	130	740-13
16 x 16	130	740-16
16 x 16	75	740-16-75
20 x 20	120	740-20

TOOL HOLDERS For 751 and 761 Inserts



C	L	Art. N°
10 x 10	115	750-10
10 x 10	50	750-10-50
12 x 12	130	750-12
12 x 12	90	750-12-90



C	L	Art. N°
10 x 10	115	760-10
10 x 10	50	760-10-50
12 x 12	130	760-12
12 x 12	90	760-12-90